

*Featherlite*<sup>®</sup>



**ENZO HB**

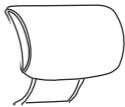
- ▶ **WARRANTY CARD (Register Now)**
- ▶ **ASSEMBLY INSTRUCTIONS**
- ▶ **USER MANUAL**

# PARTS

---



① Semi Assembled Chair (1x)



② Headrest (1x)

---



③ Gas-lift



④ Base

---



⑤ M6 x 16 (2x)



⑥ M6 Washer (2x)

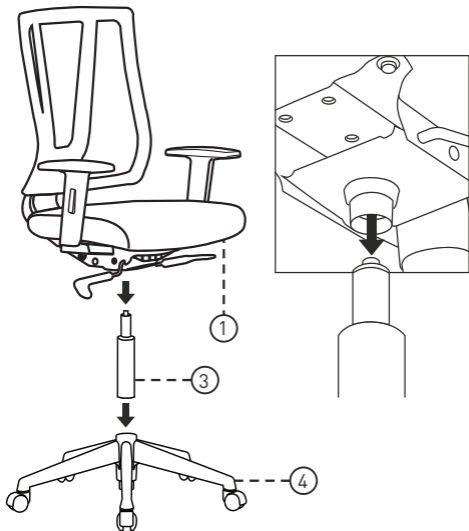


⑦ Allen Key (1x)

# STEP 1

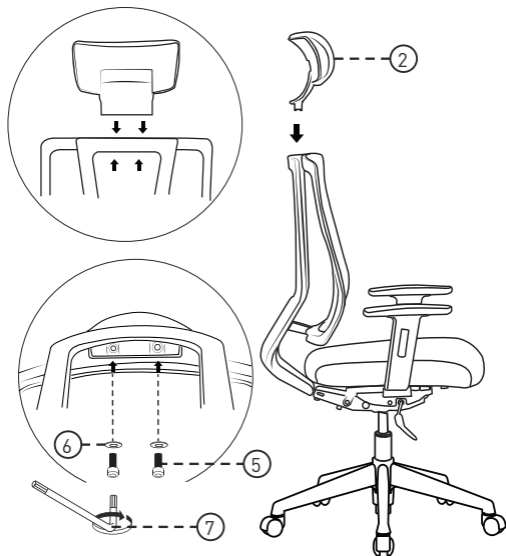
---

Fix Gas-Lift and Base



# STEP 2

## Fixing Headrest



# USER MANUAL

---



Adjustable Arms  
With Soft PU Padding



Seat Height  
Adjustment Lever

# USER MANUAL

---



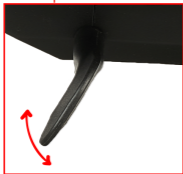
Adjustable & Flexible  
Headrest



MagnaFlex System

# USER MANUAL

---



Self Calibrating  
Multilock Mechanism



360 Swivel



ACTIVATE YOUR  
**3 YEAR**  
WARRANTY NOW



Register within 7 days after receiving  
the product to validate warranty

Scan the below QR code to register



OR

[www.featherlitestore.com/register](http://www.featherlitestore.com/register)

Use the code **LOYAL** to get a 7.5% discount on  
your next purchase on the official website.

 **080-4719-1010**