

Featherlite[®]



HELIX MB

- ▶ **WARRANTY CARD** (Register Now)
- ▶ **ASSEMBLY INSTRUCTIONS**
- ▶ **USER MANUAL**

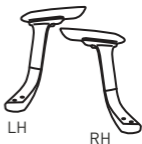
PARTS



① Chair Back (1x)



② Chair Seat



③ Arms (1 Pair)



④ Gas-lift



⑤ Base



⑥ Castors (5x)



⑦ M6x25 (6x)



⑧ M8x30 (4x)



⑨ M6x20 (2x)



⑩ Allen Key (2x)



⑪ Dual Washer (2x)

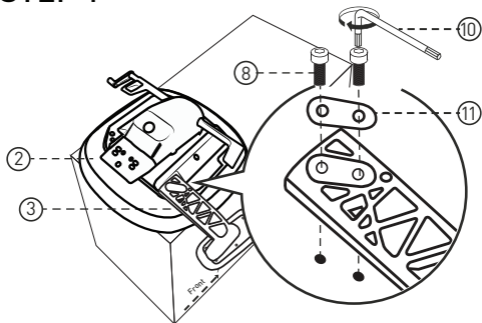


⑫ M8 Washer (3x)



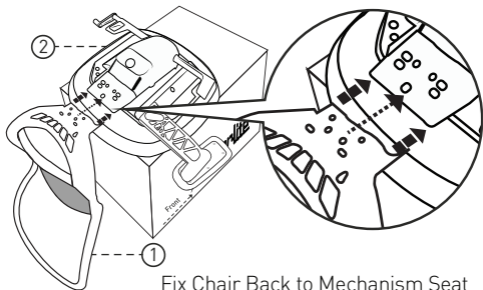
⑬ M8 Cut Washer (3x)

STEP 1



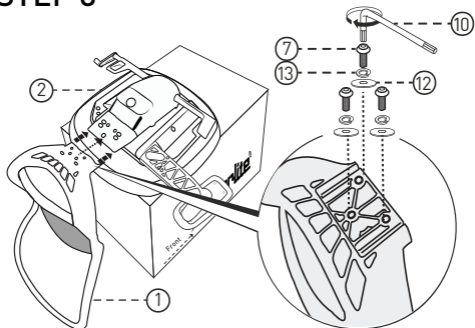
Fix Arms to Seat (use packaging box/table surface for fixing)

STEP 2



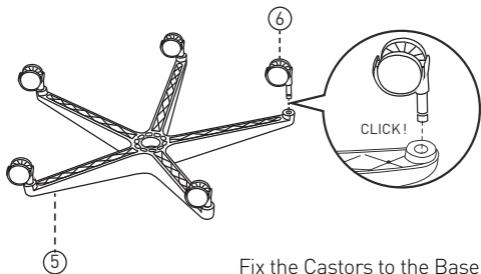
Fix Chair Back to Mechanism Seat

STEP 3



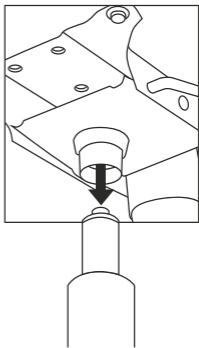
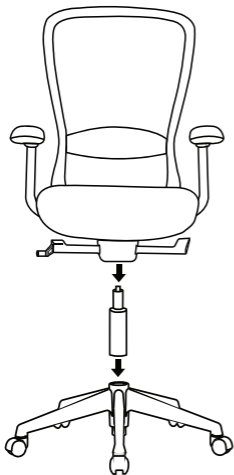
Fix Chair Back to Seat Mechanism

STEP 4



Fix the Castors to the Base

STEP 5



Fix Gas-Lift and Base

USER MANUAL



Seat Slide Lever



Button Under Arm Pad



4 Way Adjustable
Arms



Recliner Lock
Lever



USER MANUAL



Seat Height
Adjustment Lever



Adjustable
Tension Knob



ACTIVATE YOUR
3 YEAR
WARRANTY NOW



Register within 7 days after receiving
the product to validate warranty

Scan the below QR code to register



OR

www.featherlitestore.com/register

Use the code **LOYAL** to get a 7.5% discount on
your next purchase on the official website.

 **080-4719-1010**