

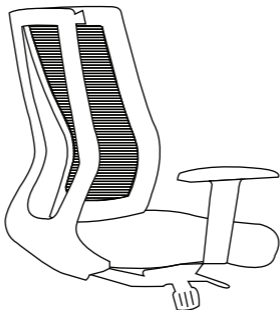
Featherlite[®]



LIBERATE MB

- ▶ **WARRANTY CARD** (Register Now)
- ▶ **ASSEMBLY INSTRUCTIONS**
- ▶ **USER MANUAL**

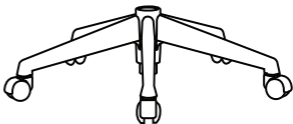
PARTS



① Semi Assembled Chair (1x)

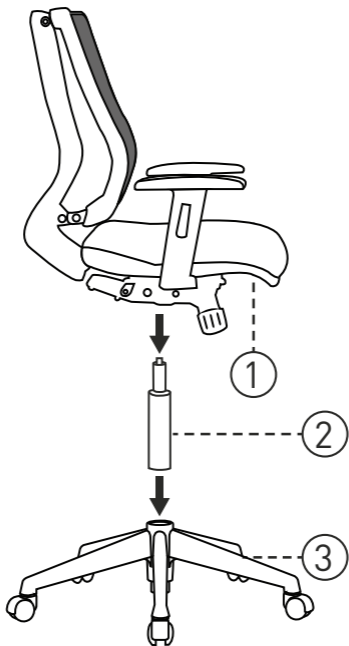


② Gas Lift (1x)

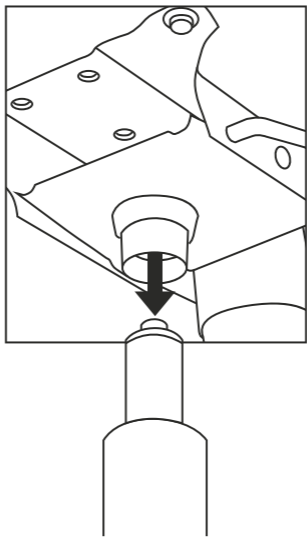


③ Base (1x)

SEMI INSTALLATION



SEMI INSTALLATION



Fix Gas-Lift and Base

USER MANUAL



Adjustable arms
with soft PU padding



Seat height
adjustment Lever

USER MANUAL



Dual Frame Flexible
Lumbar Support



DynaFlex Mechanism

USER MANUAL



Tension Knob



Recline Lock Lever



ACTIVATE YOUR
3 YEARS
WARRANTY NOW



Register within 7 days after receiving
the product to validate warranty

Scan the below QR code to register



OR

www.featherlitestore.com/register

Use the code **LOYAL** to get a 7.5% discount on
your next purchase on the official website.

 **080-4719-1010**