

Featherlite[®]



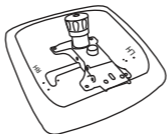
VERSA MB

- ▶ **WARRANTY CARD** (Register Now)
- ▶ **ASSEMBLY INSTRUCTIONS**
- ▶ **USER MANUAL**

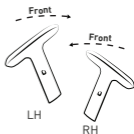
PARTS



① Chair Back (1x)



② Chair Seat



③ Arms (1 Pair)



④ Gas-lift



⑤ Base



⑥ M6x25 (6x)



⑦ M8x40 (3x)



⑧ M8 Washer (3x)



⑨ Cut Washer (3x)



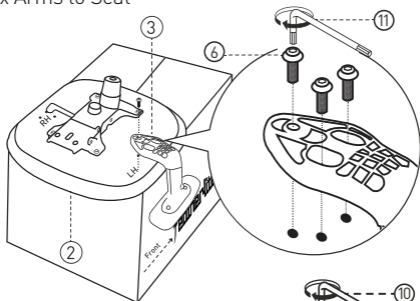
⑩ Allen Key M8



⑪ Allen Key M6

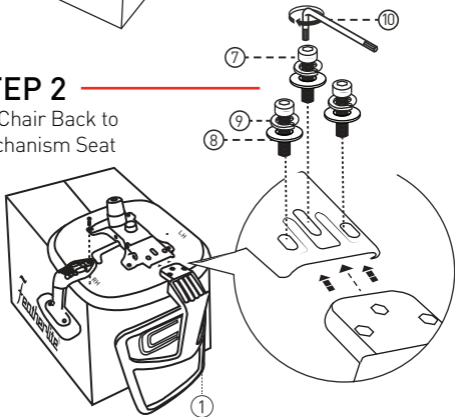
STEP 1

Fix Arms to Seat



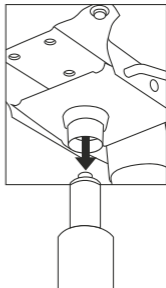
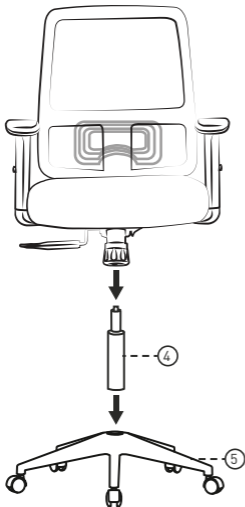
STEP 2

Fix Chair Back to Mechanism Seat



STEP 3

Fix Gas-Lift and Base



USER MANUAL



Adjustable arms
with soft PU padding



Seat height
adjustment Lever

USER MANUAL

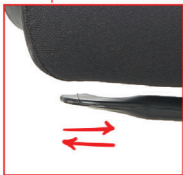


Adjustable
Lumbar Support



360° Swivel

USER MANUAL



Recline Lock Lever



Tension Knob



ACTIVATE YOUR
3 YEAR
WARRANTY NOW



Register within 7 days after receiving
the product to validate warranty

Scan the below QR code to register



OR

www.featherlitestore.com/register

Use the code **LOYAL** to get a 7.5% discount on
your next purchase on the official website.

 **080-4719-1010**